

SMART3G-C3

with catalytic sensor

SMART3G-C3 gas detector is designed to meet industrial requirements; the enclosure is explosion proof and can be installed in ATEX Zone 1 and, when equipped with dust adapter, in Zone 21. The sensing element is placed in the stainless steel head with 40 mm diameter.

The pellistor sensors employed for the flammable gas detection show an excellent output linearity up to 100% LEL and fast time of response.

The gas detector has a 12-24 Vdc power supply and a standard 4-20 mA 3-wires output. Optionally, the SMART3G-C2 can be equipped with serial RS485 communication and a 1 or 3 relays board.

The enclosure has dimensions 106 x 160 x 62 mm, on the upper side there's a M20 cable gland.

The gas detector is certification pending and it can be ATEX marked as following:

CE 0722 Ex II 3G Ex db ec nC IIC T5 Gb

Or, when equipped with dust adapter:

CE 0722 Ex II 3GD Ex db ec nC IIC T5 Gb
Ex tb IIIC T5 T100°C Db
IP65

SMART3G-C3 is SIL2 hardware and SIL3 software; with a redundant system also the hardware is SIL3.

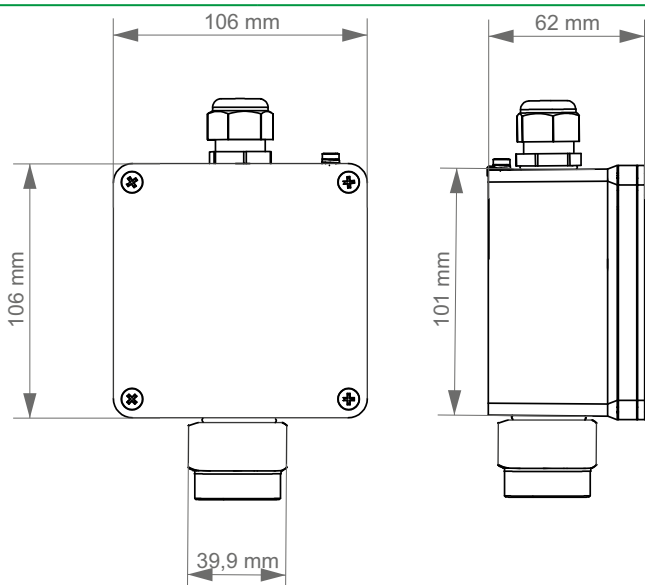
Sensor

Application	Industrial area, ATEX Zone 2 and Zone 22 (when equipped with dust adapter, optional)
Sensing element	Catalytic
Predicted sensor lifetime	4 / 5 years
Gas detected	Methane, LPG, Propane, Butane
Fullscale	0 - 100% LFL

Electrical data

Power supply	12-24 Vdc
Output	Analogue 4-20 mA output; 1 or 3 relay board (optional); serial RS485 output (optional)
Maximum dissipated power	5.4 W
Relays contact ratings	1.0 A at 30 Vdc (optional board)
Optical indications	-
Acoustic indications	-
Hall effect sensor	-

Mechanical Drawings



Environmental conditions

Storage temperature	-40 / +85°C
Operating temperature	-40 / +60°C
Operating humidity	0 / 90% RH

External case

Material	Enclosure: Alluminium Sensor head: stainless steel
Protection mode	Ex e: Increased safety protection mode Ex nC: Enclosed equipment protection mode Ex d: Explosion proof enclosure Ex t: Equipment dust ignition protection by enclosure (when equipped with dust adapter, optional)
Dimensions	106 x 160 x 62 mm
Weight	760 g
Cable entries	1 x M20
IP grade	IP55 (certification pending)

Product codes

S2096ME	Methane gas detector, 12-24 Vdc
S2096GP	LPG gas detector, 12-24 Vdc
S2096PR	Propane gas detector, 12-24 Vdc
S2096BU	Butane gas detector, 12-24 Vdc

Compliance

EMC	EN 61000-6-3:2007 + A1:2011; EN 50270:2015
ATEX (certification pending)	ATEX directive 2014/34/UE EN IEC 60079-0:2018 EN 60079-1:2014 EN 60079-7:2015 EN 60079-15:2010 EN 60079-31:2014
SIL	EN 61508:2010 Parts 1, 2, 3, 4, 5, 6, 7 EN50402:2017

Sensitron srl works for a constant improvement of its products and reserves the right to change the technical data without notice.

To have the updated product characteristics check on the website www.sensitron.it or write an e-mail to sales@sensitron.it

Sensitron srl, Viale della Repubblica 48, Cornaredo (MI) - 20007
sales@sensitron.it

TEL. +39 0293548155 FAX. +39 0293548089