

SMART3R

with infrared sensor

SMART3R is developed to detect different gases in non classified areas, as machinery rooms and laboratories. An infrared sensor is used to detect flammable and refrigerant gases, thanks to the high reliability and selectivity. 4 smart LEDs illuminate the transparent ring to describe the detector status and an internal buzzer is activated in alarm and fault conditions. The SMART3R LITE gas detector has a standard 12-24 Vdc power supply, but a 220 Vac version can be supplied. The gas detector has three relay outputs, an RS485 serial communication and an analogue 4-20 mA output (not in 220 Vac version).

The polycarbonate case has a global size of 130 x 130 x 74 mm. The box has 2 entries with M20 cable glands. On the sides there are pre-formed guides that can be drilled to add up to 6 M16 cable glands.

The gas detector can be equipped with a remote head connected with a RJ12 6P6C cable.



Sensing element

Application	Machinery rooms, laboratories and non-classified areas
Sensing element	Infrared
Predicted life sensor	5 years
Gas detected	CH ₄ ; C ₃ H ₈ ; C ₂ H ₁₀ ; R152a; R454B; R32; R1234YF; R1234ZE; R134a; R404A; R407C; R410A; SF6; R125; R407A; R407F; R449A; R507; R417A; R448; CO ₂
Fullscale	0 - 100% LFL for flammable gases 0 - 5000 ppm o 0 - 2000 ppm for refrigerant gases 0-5000 ppm; 0-2%Vol; 0-5%Vol; 0-30%Vol for CO ₂

Electrical data

Power supply	12-24 Vdc or 90-240Vac
Signal output	3 relays; RS485 serial output, 4-20 mA analogue output (only for 12-24 Vdc version)
Dissipated power	110 mA at 24 Vdc
Relays contact rating	1.0 A at 30 Vdc
Optical indications	4 smart LED
Acoustic indications	Buzzer 63 dB
Hall effect sensor	-
Remote head cable	RJ12 6P6C

Environmental conditions

Storage temperature	-40 / +85°C
Operating temperature	-40 / +60°C -10 / +50°C infred sensor for ppm refrigerant gases
Operating humidity	0 / 95% RH non condensing

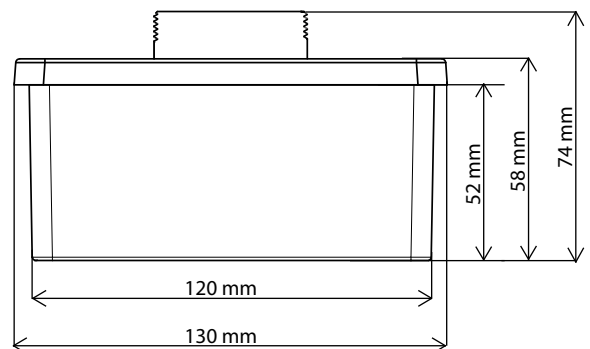
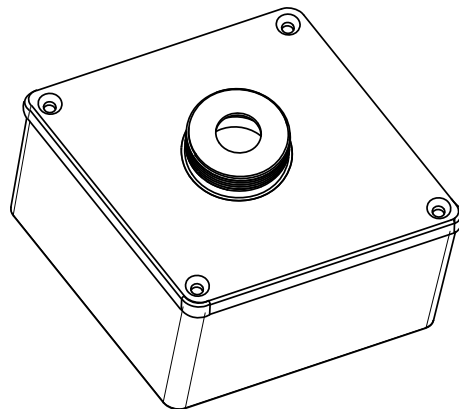
External case

Material	Polycarbonate
Dimensions	Box: 120 x 120 x 52 mm Cover: 130 x 130 x 22 mm Remote head box: 106 x 106 x 56 mm Maximum length of remote head's cable: 5 m
Weight	Detector: 450 g Remote head: 300 g
Cable entry	2 entries with M20 cable glands 6 optional entries for M16 cable glands
IP Grade	IP42

Compliance

EMC	EN 61000-6-3:2007 + A1:201; EN 50270:2015
Refrigeration Standards	EN 378-3; EN 14624; EN 50676; IEC 60335-2-40 Annex LL; ISO 5149-3; F-Gas Regulation

Disegni meccanici



Sensitron srl works for a constant improvement of its products and reserves the right to change the technical data without notice.

To have the updated product characteristics check on the website www.sensitron.it or write an e-mail to sales@sensitron.it

Sensitron srl, Viale della Repubblica 48, Cornaredo (MI) - 20007
sales@sensitron.it

TEL. +39 0293548155 FAX. +39 0293548089

Codici prodotto

S4591ME	Methane gas detector (0 - 100% LFL), 12-24 Vdc
S4592PR	Propane gas detector (0 - 100% LFL), 12-24 Vdc
S4592BU	Butane gas detector (0 - 100% LFL), 12-24 Vdc
S4592R152	R152a gas detector (0 - 100% LFL), 12-24 Vdc
S4592R454B	R454B gas detector (0 - 100% LFL), 12-24 Vdc
S4592R32	R32 gas detector (0 - 100% LFL), 12-24 Vdc
S4627R1234YF	R1234YF gas detector (0 - 100% LFL), 12-24 Vdc
S4628R1234ZE	R1234ZE gas detector (0 - 100% LFL), 12-24 Vdc
S4638R32	R32 gas detector (0 - 5000 ppm), 12-24 Vdc
S4639R134A	R134a gas detector (0 - 5000 ppm), 12-24 Vdc
S46340R404A	R404A gas detector (0 - 5000 ppm), 12-24 Vdc
S4641R407C	R407C gas detector (0 - 5000 ppm), 12-24 Vdc
S4642R401A	R410A gas detector (0 - 5000 ppm), 12-24 Vdc
S4643R1234YF	R1234YF gas detector (0 - 5000 ppm), 12-24 Vdc
S4644R1234ZE	R1234ZE gas detector (0 - 5000 ppm), 12-24 Vdc
S4611R32	R32 gas detector (0 - 2000 ppm), 12-24 Vdc
S4612R134A	R134a gas detector (0 - 2000 ppm), 12-24 Vdc
S4613SF6	SF6 gas detector (0 - 2000 ppm), 12-24 Vdc
S4614R125	R125 gas detector (0 - 2000 ppm), 12-24 Vdc
S4615R1234YF	R1234YF gas detector (0 - 2000 ppm), 12-24 Vdc
S4616R1234ZE	R1234ZE gas detector (0 - 2000 ppm), 12-24 Vdc
S4617R404A	R404A gas detector (0 - 2000 ppm), 12-24 Vdc
S4618R407A	R407A gas detector (0 - 2000 ppm), 12-24 Vdc
S4619R407F	R407F gas detector (0 - 2000 ppm), 12-24 Vdc
S4620R449A	R449A gas detector (0 - 2000 ppm), 12-24 Vdc
S4621R507	R507 gas detector (0 - 2000 ppm), 12-24 Vdc
S4622R410A	R410A gas detector (0 - 2000 ppm), 12-24 Vdc
S4623R417A	R417A gas detector (0 - 2000 ppm), 12-24 Vdc
S4624R448	R448 gas detector (0 - 2000 ppm), 12-24 Vdc
S4606CO2	CO ₂ gas detector (0 - 2% Vol), 12-24 Vdc
S4607CO2	CO ₂ gas detector (0 - 5% Vol), 12-24 Vdc
S4608CO2	CO ₂ gas detector (0 - 30% Vol), 12-24 Vdc
S4610CO2	CO ₂ gas detector (0 - 5000 ppm), 12-24 Vdc


Add "-220" to get the 220 Vac version

Add "-RH" to get the remote head version

Add "-220-RH" to get the 220 Vac version with remote head

Sensitron srl works for a constant improvement of its products and reserves the right to change the technical data without notice.

To have the updated product characteristics check on the website www.sensitron.it or write an e-mail to sales@sensitron.it

 Sensitron srl, Viale della Repubblica 48, Cornaredo (MI) - 20007

 sales@sensitron.it

 TEL. +39 0293548155 FAX. +39 0293548089